

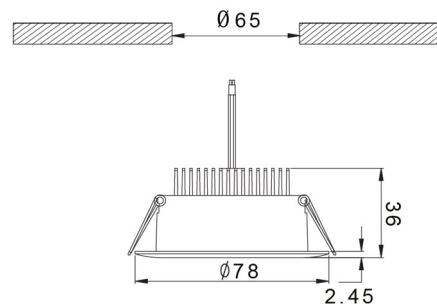
LED Downlight 78 mm 7.6W

42145101

EAN: 8720615502325

THE ALTERNATIVE TO TRADITIONAL COMPACT FLUORESCENT DOWNLIGHTS

Architects and lighting consultants always have the need for reliable innovative light solutions. The fixtures in the Prolumia LED Downlight series are mainly used for basic lighting and are the perfect alternative to traditional compact fluorescent downlights. Energy savings from > 50% can be realised due to the extremely high system efficiency.



PRODUCT FEATURES

Suitable for wall mounting	✓	Nominal voltage	220 240 Volt
Suitable for wall mounting	✓	Nominal current	560 560 Milliampere
Suitable for suspended mounting	✗	Rated lifetime L70/B50 at 25 °C	50000 Hour
Suitable for ceiling mounting	✓	Rated ambient temperature according to IEC 62722-2-1	-30 40 Degrees celsius
Suitable for built-in mounting	✓	Luminaire efficacy	73.5 Lumen/Watt
Suitable for surface mounting	✗	Rated luminous flux according to IEC 62722-2-1	560 Lumen
Suitable for light line configuration	✗	Max. system power	7.5 Watt
Suitable for workplace according to EN 12464-1	✗	Colour temperature	4000 4000 Kelvin
Lamp type	LED not exchangeable	Power factor	0.85
With light source	✓	Height/depth	36 Millimetre
Lamp holder	Other	Outer diameter	78 Millimetre
Housing material	Aluminium	Built-in height/depth	36 Millimetre
Surface protection housing	Lacquered	Built-in diameter	65 Millimetre
Housing colour	Black	Unified Glare Ratio (UGR)	24
Material cover	Plastic, opal		
Type of grid	None		
Voltage type	AC		
Type of control gear	LED operating device current-controlled		
With control gear	✓		
Dimming 0-10 V	✗		
Dimming 1-10 V	✗		
Dimming DALI	✗		
Dimming DMX	✗		
Dimming DSI	✗		
Dimming GPRS	✗		
Dimming LineSwitch	✗		
Dimming manufacturer's proprietary system	✗		
Dimming mains voltage modulation	✗		
Dimming phase cut-off (trailing edge)	✗		
Dimming phase cut-on (leading edge)	✗		

LED Downlight (general lighting)

LED Downlight 78 mm 7.6W

42145101

EAN: 8720615502325

PRODUCT FEATURES

(continuation)

Dimming programmable	✘
Dimming potentiometer (integrated)	✘
Dimming RF	✘
Dimming Touch and Dim	✘
Dimming Sine Wave Reduction	✘
Dimming Zigbee	✘
Dimming with push-button	✘
Light distributor	Diffuser lens/optic/panel
No dim function	✔
Light distribution	Symmetric
Dimming depending on control gear	✔
Beam angle	>80° - Extreme wide beam
Light outlet	Direct
Energy efficiency class of the built-in lamp	A++, A+, A (LED)
Degree of protection (IP)	IP44
Protection class according to IEC 61140	II
Emergency power supply integrated	✘
Suitable for emergency lighting	✘
With movement sensor	✘
With light sensor	✘
Covering of the luminaire with thermally insulating material possible	✘
With air slots	✘
Colour of light according to EN 12464-1	Neutral white 3300-5300 K
Colour of light	White
Colour rendering index CRI	80-89
Type of wiring	Ending
Connection type	Screwed terminal
Operation by Bluetooth	✘