

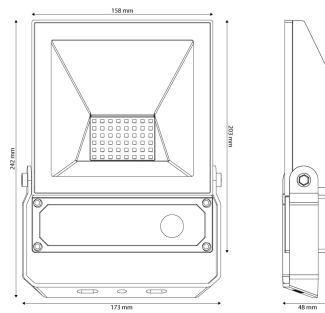
LED Pro-Flood Basic 50W

41060655

EAN: 8720615508761

COMPACT FLOODLIGHTS WITH OPTIONAL REMOTE-CONTROLLED PIR SENSOR

The Prolumia Pro-Flood Basic series consists of three compact floodlights which can be used for both indoor and outdoor applications. Available with or without PIR sensor. The PIR sensor is easy to operate with the supplied remote control, which can be used to set the daylight threshold and the hold time. Due to the high efficiency of up to 110 Lm/W, the fixtures can be perfectly used to illuminate facades and advertising signs, for example.



PRODUCT FEATURES

Suitable for surface mounting	✓	Nominal voltage	220 240 Volt
Suitable for built-in mounting	✗	Rated lifetime L70/B50 at 25 °C	50000 Hour
Suitable for wall mounting	✓	Rated ambient temperature according to IEC 62722-2-1	-20 40 Degrees celsius
Suitable for wall mounting	✓	Max. system power	50 Watt
Suitable for suspended mounting	✗	Luminous flux	5400 5400 Lumen
Suitable for ceiling mounting	✓	Lamp efficacy	5400 Lumen/Watt
Suitable for traverse mounting	✗	Colour temperature	3000 3000 Kelvin
Suitable for pedestal/floor mounting	✓	Number of poles	3
Suitable for light-track mounting	✗	Connectable conductor cross section	1.5 1.5 Square millimetre
Suitable for clamp-mounting	✗	Luminaire efficacy	108 Lumen/Watt
Suitable for low voltage cable system	✗		
Adjustability	Rotating and swivelling		
With movement sensor	✓		
With light sensor	✓		
Lamp type	LED not exchangeable		
With light source	✓		
Lamp holder	Other		
Housing material	Aluminium		
Surface protection	Powder coating		
Housing colour	Black		
Material cover	Glass opal		
Voltage type	AC		
Type of control gear	LED operating device current-controlled		
With control gear	✓		
No dim function	✓		
Reflector	Matt		
Light distributor	Reflector		
Light distribution	Symmetric		
Beam angle	>80° - Extreme wide beam		
Light outlet	Direct		

LED Pro-Flood Basic

LED Pro-Flood Basic 50W

41060655

EAN: 8720615508761

PRODUCT FEATURES

(continuation)

Energy efficiency class	A++
Energy efficiency class of the built-in lamp	A++, A+, A (LED)
Degree of protection (IP)	IP65
Impact strength	IK07
Protection class according to IEC 61140	I
Colour of light	White
Colour rendering index CRI	70-79
Type of wiring	Ending
Connection type	Other
Covering of the luminaire with thermally insulating material possible	✘
Colour consistency (McAdam ellipse)	SDCM6