

LED Pro-Fit

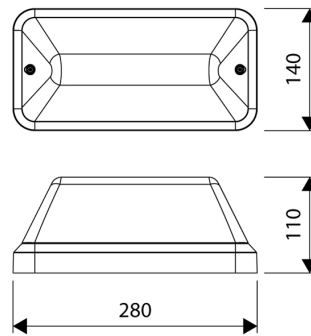
LED Pro-Fit black

40010312

EAN: 8720604744255

ROBUST AND STYLISHLY DESIGNED CEILING AND WALL FIXTURES WITH ENERGY SAVING OPTIONS

The Pro-Fit series includes two robust and sleekly designed ceiling and wall fixtures. The Pro-Fit is extremely suitable for housing construction, for use in portals, corridors, galleries and storerooms and on the outside of buildings to illuminate the front and back doors. It is also a perfect one-to-one replacement for the most commonly used conventional variants, where the dimensions make painting unnecessary in many cases.



PRODUCT FEATURES

Suitable for wall mounting	✓	Nominal voltage	240 240 Volt
Suitable for wall mounting	✓	Rated lifetime L70/B50 at 25 °C	100000 Hour
Suitable for suspended mounting	✗	Luminaire efficacy	100 Lumen/Watt
Suitable for ceiling mounting	✓	Max. system power	7 Watt
Suitable for built-in mounting	✗	Colour temperature	3000 4000 Kelvin
Suitable for surface mounting	✓	Power factor	0.8
Suitable for light line configuration	✗	Width	140 Millimetre
Lamp type	LED exchangeable	Height/depth	110 Millimetre
With light source	✓	Length	280 Millimetre
Lamp holder	Other	Number of poles	2
Housing material	Plastic	Conductor cross section	1.5 Square millimetre
Surface protection housing	Untreated		
Housing colour	Black		
Material cover	Plastic, transparent		
Type of grid	None		
Voltage type	AC		
Type of control gear	LED operating device current-controlled		
With control gear	✓		
Exchangeable control gear	✗		
Dimming 0-10 V	✗		
Dimming 1-10 V	✗		
Dimming DALI	✗		
Dimming DALI-2	✗		
Dimming DMX	✗		
Dimming GPRS	✗		
Dimming LineSwitch	✗		
Dimming DSI	✗		
Dimming manufacturer's proprietary system	✗		
Dimming mains voltage modulation	✗		
Dimming phase cut-off (trailing edge)	✗		

LED Pro-Fit

LED Pro-Fit black

40010312

EAN: 8720604744255

PRODUCT FEATURES

(continuation)

Dimming phase cut-on (leading edge)	✘
Dimming programmable	✘
Dimming potentiometer (integrated)	✘
Dimming RF	✘
Dimming Sine Wave Reduction	✘
Dimming Touch and Dim	✘
Dimming Zigbee	✘
Dimming with push-button	✘
No dim function	✔
Dimming depending on control gear	✘
Light distributor	Other
Light distribution	Symmetric
Beam angle	> 80° - Extreme wide beam
Colour consistency (McAdam ellipse)	SDCM3
Light outlet	Direct
Containing product according to 2019/2020/EU	✔
Energy efficiency class of the built-in lamp	A++, A+, A (LED)
Degree of protection (IP)	IP66
Impact strength	IK10
Protection class according to IEC 61140	II
Emergency power supply integrated	✔
Suitable for emergency lighting	✔
With movement sensor	✘
With light sensor	✘
Covering of the luminaire with thermally insulating material possible	✔
With air slots	✘
Filament test according to IEC 60695-2-11	850 °C - 30 s
Colour of light	White
Colour rendering index CRI	80-89
Type of wiring	Ending
Connection type	Push-in clamp
Operation by Bluetooth	✘
Compatible with Apple HomeKit	✘
Compatible with Google Assistant	✘
Compatible with Amazon Alexa	✘
IFTTT support available	✘