

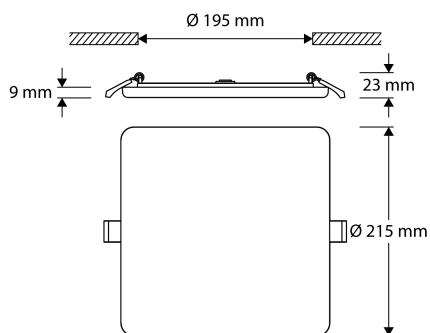
LED Pro-Space 215 mm čtverec

40004310

EAN: 8720604743401

ZAŽIJTE NADČASOVOU MINIMALISTICKOU ELEGANCÍ S BEZOKRAJOVÝMI SVÍTIDLY PRO-SPACE

LED Pro-Space je elegantní a nadčasově zapuštěné svítidlo s velmi nízkou hloubkou instalace. Díky bezrámečkové konstrukci se bezproblémově integruje do jakéhokoli stropu a jeho stupeň krytí IP66 umožňuje instalaci do vlhkého prostředí.



VLASTNOSTI PRODUKTU

Suitable for wall mounting	✓	Nominal voltage	220 240 Volt
Suitable for wall mounting	✓	Nominal current	700 700 Milliampere
Suitable for suspended mounting	✗	Rated lifetime L70/B50 at 25 °C	50000 Hour
Suitable for ceiling mounting	✓	Rated ambient temperature according to IEC 62722-2-1	-20 50 Degrees celsius
Suitable for built-in mounting	✓	Luminaire efficacy	79,5 Lumen/Watt
Suitable for surface mounting	✗	Rated luminous flux according to IEC 62722-2-1	2380 Lumen
Suitable for light line configuration	✗	Max. system power	30 Watt
Suitable for workplace according to EN 12464-1	✗	Colour temperature	3000 3000 Kelvin
Lamp type	LED not exchangeable	Power factor	0,9
With light source	✓	Width	215 Millimetre
Lamp holder	Other	Height/depth	20 Millimetre
Housing material	Aluminium	Length	215 Millimetre
Surface protection housing	Other	Built-in length	195 Millimetre
Housing colour	White	Built-in width	195 Millimetre
Material cover	Plastic, opal	Built-in height/depth	20 Millimetre
Type of grid	None	Unified Glare Ratio (UGR)	24
Voltage type	AC		
Type of control gear	LED operating device current-controlled		
With control gear	✓		
Dimming 0-10 V	✗		
Dimming 1-10 V	✗		
Dimming DALI	✗		
Dimming DMX	✗		
Dimming GPRS	✗		
Dimming LineSwitch	✗		
Dimming DSI	✗		
Dimming manufacturer's proprietary system	✗		
Dimming mains voltage modulation	✗		

LED Pro-Space

LED Pro-Space 215 mm čtverec

40004310

EAN: 8720604743401

VLASTNOSTI PRODUKTU

(Pokračování)

Dimming phase cut-off (trailing edge)	✘
Dimming phase cut-on (leading edge)	✘
Dimming programmable	✘
Dimming potentiometer (integrated)	✘
Dimming RF	✘
Dimming Sine Wave Reduction	✘
Dimming Touch and Dim	✘
Dimming Zigbee	✘
Dimming with push-button	✘
No dim function	✓
Dimming depending on control gear	✓
Light distributor	Diffuser lens/optic/panel
Light distribution	Symmetric
Beam angle	> 80° - Extreme wide beam
Colour consistency (McAdam ellipse)	SDCM4
Light outlet	Direct
Energy efficiency class of the built-in lamp	A++, A+, A (LED)
Degree of protection (IP)	IP66
Impact strength	IK08
Protection class according to IEC 61140	II
Emergency power supply integrated	✘
Suitable for emergency lighting	✘
With movement sensor	✘
With light sensor	✘
Covering of the luminaire with thermally insulating material possible	✘
With air slots	✘
Colour of light according to EN 12464-1	Warm white < 3300 K
Colour of light	White
Colour rendering index CRI	80-89
Type of wiring	Ending
Connection type	Screwed terminal
Operation by Bluetooth	✘